



1101 boro 3.3 glass
Beaker (low form)

Capacity (ml)	H (mm)	O.d. (mm)
5	30	22
10	35	26
25	50	34
50	60	42
100	70	50
150	80	60
200	90	65
250	95	70
300	106	77
400	110	80
500	120	85
600	125	90
800	135	100
1000	145	105
2000	185	130
3000	210	150
5000	270	170
10000	350	217

1102 boro 3.3 glass
Beaker (high form)

Capacity (ml)	H (mm)	O.d. (mm)
25	55	30
50	70	38
100	80	48
150	95	54
250	120	60
400	130	70
500	140	75
600	150	80
800	175	90
1000	185	95
2000	240	120
3000	280	135

1101H boro 3.3 glass
Beaker (with handle)

Capacity (ml)	H (mm)	O.d. (mm)
50	60	42
100	70	50
150	80	60
200	90	65
250	95	70
300	106	77
400	110	80
500	120	85
600	125	90
800	135	100
1000	145	105
2000	185	130

1601H with graduations
hexagonal base or plastic base
Measuring Cylinder

Capacity (ml)	H (mm)	Accuracy (±)ml	Graduation Divisions(ml)
5	115	0.10	0.10
10	135	0.20	0.20
25	160	0.50	0.50
50	195	1.00	1.00
100	240	1.00	1.00
250	320	2.00	2.00
500	380	5.00	5.00
1000	465	10.00	10.00
2000	565	20.00	20.00

1601 with spout and graduations
round base or plastic base
Measuring Cylinder

Capacity (ml)	H (mm)	Accuracy (±)ml	Graduation Divisions(ml)
5	110	0.10	0.10
10	135	0.20	0.20
25	160	0.50	0.50
50	195	0.50	1.00
100	250	1.00	1.00
250	300	2.00	2.00
500	350	5.00	5.00
1000	430	10.00	10.00
2000	500	20.00	20.00

1611 graduate with spout
short lines
Measuring Cup

Capacity (ml)	H (mm)	Sub.Division (ml)	Capacity (ml)
5	80	0.5	0.3
10	95	1.0	0.5
20	115	2.0	0.6
50	135	5.0	1.0
100	165	10.0	1.5
250	205	25.0	3.0
500	250	50.0	6.0
1000	310	50.0	10.0

1115
narrow neck with beaded rim
Boiling Flask (round bottom)

Capacity (ml)	H (mm)	O.D. Of Neck(mm)	O.D. Of Bulb(mm)
5	62	13	27
10	68	13	33
25	80	18	42
50	105	22	51
100	115	22	64
150	147	22	74
200	147	23	85
250	147	34	85
300	175	29	95
500	175	34	105
1000	210	42	131
2000	260	50	166
3000	370	50	199
5000	400	55	235
10000	420	65	279
15000	580	70	330
20000	500	80	345

1621A with one graduation mark
with ground-in glass/plastic stopper
Volumetric Flask (clear color)

Capacity (ml)	H (mm)	Ground Mouth Tolerance(±ml)	Capacity (ml)
5	74	7/11	0.02
10	90	7/11	0.02
25	110	10/13	0.03
50	140	10/13	0.05
100	170	12/14	0.10
200	210	14/15	0.15
250	220	14/15	0.15
500	260	16/16	0.25
1000	310	19/17	0.40
2000	370	24/20	0.60

1111
narrow neck with beaded rim
Boiling Flask (flat bottom)

Capacity (ml)	H (mm)	O.D. Of Neck(mm)	O.D. Of Bulb(mm)
5	62	13	27
10	68	13	33
25	80	18	42
50	100	22	51
100	110	22	64
150	140	22	74
200	140	23	85
250	140	34	85
300	170	29	95
500	170	34	105
1000	200	42	131
2000	250	50	166
3000	370	50	199
5000	400	55	235
10000	400	65	279
15000	580	70	330
20000	620	78	370

1622A
with ground-in glass/plastic stopper
Volumetric Flask (amber glass grade A)

Capacity (ml)	H (mm)	Ground Mouth Tolerance(±ml)	Capacity (ml)
5	74	7/11	0.02
10	90	7/11	0.02
25	110	10/13	0.03
50	140	10/13	0.05
100	170	12/14	0.10
200	210	14/15	0.15
250	220	14/15	0.15
500	260	16/16	0.25
1000	310	19/17	0.40
2000	370	24/20	0.60

5001
short neck standard ground mouth
Boiling Flask (round bottom)

Capacity (ml)	H (mm)	Ground Mouth (mm)	O.D. Of Bulb(mm)
5	56	10/19	27
5	60	14/23	27
10	66	10/19	33
10	68	14/23	33
25	70	10/19	41
25	75	14/23	41
25	79	19/26	41
50	88	14/23	53
50	94	19/26	53
50	97	24/29	53
50	105	29/32	53
100	100	14/23	65
100	106	19/26	65
100	109	24/29	65
100	117	29/32	65
150	117	19/26	76
150	120	24/29	76
250	134	19/26	88
250	145	29/32	88
500	158	19/26	110
500	161	24/29	110
500	167	29/32	110
500	170	34/35	110
1000	188	19/26	140
1000	196	24/29	140
1000	199	29/32	140
1000	202	34/35	140
2000	231	24/29	175
2000	234	29/32	175
2000	237	34/35	175
3000	281	29/32	199
3000	284	34/35	199
3000	287	40/38	199
5000	333	40/38	235
5000	337	50/42	235
10000	410	50/42	297
10000	414	60/46	297



5004 standard ground mouth
Flask (oblique shape with three necks)

Capacity (ml)	H (mm)	Middle Ground Mouth	Side Ground Mouth
100	106	19/26	14/23
250	134	19/26	14/23
250	134	19/26	19/26
250	139	24/29	14/23
250	139	24/29	19/26
250	139	24/29	24/29
250	139	24/29	24/29
250	145	29/32	14/23
250	145	29/32	19/26
500	158	19/26	14/23
500	158	19/26	19/26
500	161	24/29	14/23
500	161	24/29	19/26
500	161	24/29	14/23
500	161	24/29	19/26
500	161	24/29	24/29
500	167	29/32	14/23
500	167	29/32	19/26
1000	188	19/26	14/23
1000	180	19/26	19/26
1000	196	24/29	14/23
1000	196	24/29	19/26
1000	196	24/29	24/29
1000	196	24/29	24/29
1000	200	29/32	14/23
1000	200	29/32	19/26
1000	200	29/32	24/29
2000	231	24/29	24/29
2000	234	29/32	24/29
2000	234	29/32	29/32
2000	237	34/35	24/29
3000	281	29/32	24/29
3000	284	34/35	24/29
5000	333	40/38	24/29
5000	337	50/42	24/29

5005 standard ground mouth
Flask (straight shape)

Capacity (ml)	H (mm)	Middle Ground Mouth	Side Ground Mouth
250	134	19/26	14/23
250	134	19/26	19/26
250	139	24/29	14/23
250	139	24/29	19/26
250	139	24/29	24/29
250	145	29/32	14/23
500	158	19/26	14/23
500	158	19/26	19/26
500	161	24/29	14/23
500	161	24/29	19/26
500	161	24/29	14/23
500	161	24/29	19/26
500	167	29/32	14/23
1000	196	24/29	14/23
1000	196	24/29	19/26
1000	196	24/29	24/29
1000	200	29/32	24/29
1000	200	29/32	29/32
2000	231	24/29	24/29
2000	234	29/32	24/29
2000	234	29/32	29/32
2000	237	34/35	24/29
3000	281	29/32	24/29
3000	284	34/35	24/29
5000	333	40/38	24/29

5003 standard ground mouth
Flask (oblique shape with two necks)

Capacity (ml)	H (mm)	Middle Ground Mouth	Side Ground Mouth
100	106	19/26	14/23
100	109	24/29	14/23
250	134	19/26	14/23
250	139	24/29	14/23
250	139	24/29	19/26
250	139	24/29	19/26
250	145	29/32	14/23
250	145	29/32	19/26
500	158	19/26	14/23
500	161	24/29	14/23
500	161	24/29	19/26
500	161	24/29	14/23
500	167	29/32	19/26
500	167	29/32	19/26
1000	196	24/29	14/23
1000	196	24/29	19/26
1000	196	24/29	24/29
1000	200	29/32	14/23
1000	200	29/32	19/26
1000	200	29/32	24/29
2000	231	24/29	19/26
2000	231	24/29	24/29
2000	234	29/32	19/26
2000	234	29/32	24/29

5006 standard ground mouth
Flask (with four necks)

Capacity (ml)	H (mm)	Middle Ground Mouth	Side Ground Mouth	Straight Ground Mouth
500	161	24/29	19/26	14/23
500	161	24/29	19/26	19/26
500	161	24/29	19/26or24/29	14/26
500	167	29/32	19/26or24/29	14/26
500	167	29/32	24/29	14/26
1000	196	24/29	19/26	14/23
1000	196	24/29	19/26	19/26
2000	231	24/29	19/26	19/26
2000	234	29/32	19/26or24/29	14/23
3000	281	29/32	24/29	14/23
3000	284	34/35	24/29	14/23
3000	284	34/35	19/26or24/29	19/26
5000	333	40/38	24/29or29/32	14/23

5013
standard ground mouth
Flask (pear shape)

Capacity (ml)	H (mm)	O.D. Of Body(mm)	Ground Mouth
10	76	30	10/19
10	79	30	14/23
25	90	40	10/19
25	93	40	14/23
25	95	40	19/26
50	108	50	14/23
50	110	50	19/26
100	118	60	14/23
100	121	60	19/26

5007
short neck standard ground mouth
Boiling Flask (flat bottom)

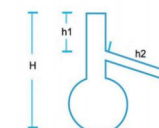
Capacity (ml)	H (mm)	Ground Mouth	O.D. Of Bulb(mm)
25	70	14/23	41
50	88	14/23	53
50	94	19/26	53
100	100	14/23	65
100	106	19/26	65
100	109	24/29	65
150	117	19/26	76
150	120	24/29	76
250	134	19/26	88
250	139	24/29	88
500	158	19/26	110
500	161	24/29	110
500	167	29/32	110
1000	196	24/29	140
1000	199	29/32	140
2000	234	29/32	175
2000	237	34/35	175
5000	320	34/35	235

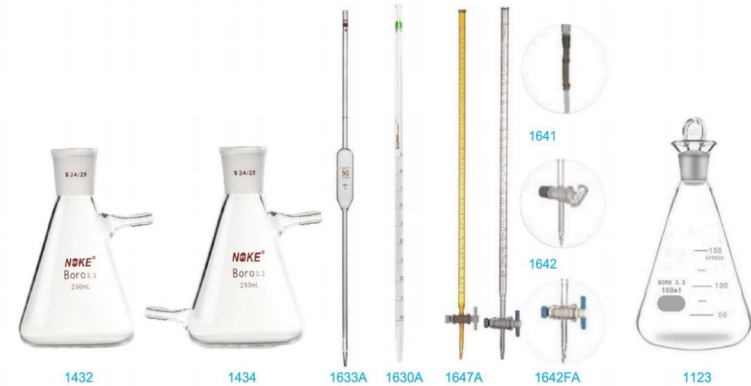
5011
standard ground mouth
Flask (eggplant shape)

Capacity (ml)	H (mm)	O.D. Of Body(mm)	Ground Mouth
5	50	26	10/19
10	70	30	10/19
10	70	30	14/23
25	80	39	10/19
25	80	39	14/23
25	80	39	19/26
50	100	51	14/23
50	100	51	19/26
50	100	51	24/29
50	100	51	29/32
100	110	60	14/23
100	110	60	19/26
100	110	60	24/29
250	140	81	19/26
250	140	81	24/29
250	140	81	29/32
500	170	101	24/29
500	170	101	29/32
1000	210	125	24/19
1000	210	125	29/32

1131
arm sealed at the bottom third part of neck
Distilling Flask(fractionating flask soybott)

Capacity (ml)	H (mm)	h1 (mm)	h2 (mm)	O.D. Of Neck(mm)	O.D. Of Bulb(mm)	O.D. Of the Side Tube(mm)
25	110	46	46	22	41	7
50	120	46	46	22	51	7
100	150	58	58	22	64	7
125	150	58	58	23	70	7
250	200	76	58	34	85	8
500	250	96	96	34	105	9
1000	300	112	112	34	131	10
2000	410	120	128	46	175	12





1120

wide neck with graduations

Conical Flask (erlenmeyer flask)

Capacity (ml)	H (mm)	O.D. Of Neck(mm)	O.D. Of Bulb(mm)
25	70	32	42
50	85	34	51
100	105	34	64
200	131	50	79
250	140	50	85
300	156	50	87
500	175	50	105
1000	220	50	131
2000	280	72	153
3000	285	106	190

1121

narrow neck with graduations

Conical Flask (erlenmeyer flask)

Capacity (ml)	H (mm)	O.D. Of Neck(mm)	O.D. Of Bulb(mm)
5	50	14	25
10	55	16	30
25	75	22	42
50	90	22	51
100	105	22	64
150	120	28	71
200	135	34	79
250	145	34	85
300	160	34	87
500	180	34	105
1000	220	42	131
2000	280	50	166
3000	310	50	187
5000	365	50	220
10000	435	76	295

5009

standard ground mouth

Conical Flask

Capacity (ml)	H (mm)	Ground Mouth	O.D. Of Body(mm)
5	50	10/19	25
10	55	14/23	25
25	75	10/19	32
50	90	14/23	32
100	105	19/26	32
25	65	10/19	42
25	70	14/23	42
25	75	19/26	42
50	85	14/23	51
50	85	19/26	51
50	90	24/29	51
100	105	14/23	64
100	105	19/26	64
100	105	24/29	64
100	105	29/32	64
150	115	19/26	71
150	115	24/29	71
250	135	19/26	85
250	135	24/29	85
250	128	29/32	85
250	128	34/35	85
500	170	19/26	105
500	170	24/29	105
500	165	29/32	105
500	180	34/35	105
1000	210	24/29	131
1000	210	29/32	131
1000	210	34/35	131
2000	275	29/32	166
2000	275	34/35	166

1122

with glass ground stopper

Conical Flask

Capacity (ml)	H (mm)	O.D. Of Body(mm)
50	90	50
100	108	60
250	140	83
500	185	98
1000	230	130

1118

Nitrogen Flask (kjeldahl flask)

Capacity (ml)	H (mm)	O.D. Of Neck(mm)	O.D. Of Bulb(mm)
50	200	22	49
100	200	34	60
250	270	34	81
500	300	34	101
1000	350	34	126

1432

boro3.3 glass or neutral glass clear glass with upper tubulature

Filtering Flask

Capacity (ml)	H (mm)	Dia. Of Side Tube(mm)
125	120	9
250	160	9
500	210	9
1000	245	9
2500	290	11
5000	370	11
10000	450	13

1434

with tubelature at upper side and at bottom

Filtering Flask

Capacity (ml)	H (mm)	Dia. Of Side Tube(mm)
125	120	9
250	160	9
500	210	9
1000	245	9
2500	290	11
5000	370	11
10000	450	13

1123

wide spout with standard ground stopper

Iodine Flask

Capacity (ml)	H (mm)	O.D. Of Body(mm)
50	110	50
100	114	60
250	155	83
500	200	98

1630A

graduated with zero at top

Measuring Pipette (class A)

Capacity (ml)	Length (mm)	Graduation (ml)	Capacity Tolerance(±ml)	Flow Rate(s)
1	350	0.01	0.008	4-10
2	350	0.02	0.012	4-12
5	350	0.05	0.025	6-14
10	350	0.10	0.050	7-17
25	470	0.10	0.10	11-21
50	480	0.20	0.10	15-25

1641A

class A glass bead and glass tip

Burette (with rubber tubing connection)

Capacity (ml)	Length (mm)	Graduation (ml)	Capacity Tolerance(±ml)	Flow Rate(s)
10	600	0.05	0.025	30-45
25	630	0.1	0.05	45-70
50	860	0.1	0.05	60-90
100	860	0.2	0.10	70-100

1642A

class A

Burette (with straight stopcock)

Capacity (ml)	Length (mm)	Graduation (ml)	Capacity Tolerance(±ml)
10	600	0.05	0.025
25	630	0.1	0.05
50	860	0.1	0.05
100	860	0.2	0.10

1633A

with one mark

Volumetric Pipette (class A)

Capacity (ml)	Length (mm)	Capacity Tolerance(±ml)	Flow Rate(s)
1	330	0.007	7-12
2	340	0.010	7-12
3	360	0.015	15-25
5	400	0.015	15-25
10	450	0.020	20-30
15	520	0.025	20-30
20	560	0.030	25-35
25	570	0.030	25-35
50	600	0.050	30-40
100	640	0.080	35-45

1647A

class A glass bead and glass tip

Burette (with rubber tubing connection Amber)

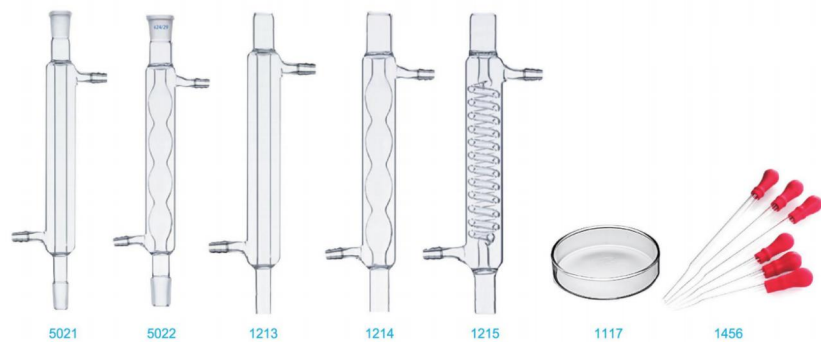
Capacity (ml)	Length (mm)	Graduation (ml)	Capacity Tolerance(±ml)	Flow Rate(s)
10	600	0.05	0.025	30-45
25	630	0.1	0.05	45-70
50	860	0.1	0.05	60-90
100	860	0.2	0.10	70-100

1642FA

class A with PTFE stopper

Burette (with straight stopcock)

Capacity (ml)	Length (mm)	Graduation (ml)	Capacity Tolerance(±ml)
10	600	0.05	0.025
25	630	0.1	0.05
50	860	0.1	0.05
100	860	0.2	0.10



1213

boro 3.3 glass

Condenser (with fused inner tube liebigh)

Length Of Jacket(mm)	Length (mm)	O.D. Of Upper Tube(mm)	Cooling Area(dm ²)
200	350	18	0.7
250	420	18	1.0
300	480	20	1.1
400	590	22	1.6
500	710	24	2.2
600	810	24	2.8
800	1050	28	4.3
1000	1250	28	5.7

5021

standard ground mouth

Condenser (straight shape)

Length Of Jacket(mm)	Length (mm)	Ground Mouth	Cooling Area(dm ²)
80	165	10/19	0.16
80	175	14/23	0.16
150	254	14/23	0.6
200	305	14/23	1.0
200	332	19/26	1.0
200	350	24/29	1.0
200	360	29/32	1.0
300	432	19/26	1.6
300	450	24/29	1.6
300	460	29/32	1.6
400	535	19/26	2.1
400	555	24/29	2.1
400	560	29/32	2.1
500	632	19/26	2.7
500	650	24/29	2.7
500	660	29/32	2.7
600	735	19/26	3.2
600	735	24/29	3.2
600	760	29/32	3.2

1214

boro 3.3 glass

Condenser (with bulbed inner tube allihn)

Length Of Jacket(mm)	Length (mm)	O.D. Of Upper Tube(mm)	Cooling Area(dm ²)
200	350	18	1.0
250	420	18	1.5
300	480	20	1.8
400	590	22	2.7
500	710	24	3.7
600	800	24	4.9
800	1050	28	7.6
1000	1250	28	10.0
1200	1360	33	12.7
1500	1720	33	17.0

1177

Petri Culture Dish

Bottom Dia(mm)	Height (mm)	Cover Dia(mm)
60	15	65
75	15	82
90	18	98
100	20	107
120	25	130
150	30	160

1456

straight tip with latex rubber nipple

Dropping Pipette

Length (ml)	O.D. Of Tube(mm)
90	7-8
160	7-8

1215

boro 3.3 glass

Condenser (with coiled inner tube graham)

Length Of Jacket(mm)	Length (mm)	O.D. Of Upper Tube(mm)	Cooling Area(dm ²)
200	350	18	2.3
250	420	20	2.7
300	480	20	3.3
400	590	22	4.7
500	710	24	7.0
600	810	24	8.2

5022

standard ground mouth

Condenser (with bulbed inner tube)

Length Of Jacket(mm)	Length (mm)	Ground Mouth	Cooling Area(dm ²)
150	235	14/23	0.6
200	295	14/23	1.1
200	330	19/26	1.1
200	350	24/29	1.1
200	360	29/32	1.1
300	405	14/23	1.6
300	430	19/26	1.6
300	450	24/29	1.6
300	460	29/32	1.6
400	530	19/26	2.2
400	550	24/29	2.2
400	560	29/32	2.2
500	630	19/26	3.0
500	650	24/29	3.0
500	660	29/32	3.0
600	730	19/26	3.7
600	750	24/29	3.7
600	760	29/32	3.7



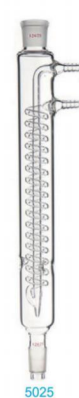
1231/1232



5023



5024



5025

5023

standard ground mouth

Condenser (with coiled inner tube)

Length Of Jacket(mm)	Length (mm)	Ground Mouth	Cooling Area(dm ²)
150	235	14/23	1.2
200	295	14/23	2.3
200	330	19/26	2.3
200	350	24/29	2.3
300	430	19/26	3.5
300	450	24/29	3.5
300	460	29/32	3.5
400	530	19/26	4.7
400	550	24/29	4.7
400	560	29/32	4.7
500	630	19/26	5.7
500	650	24/29	5.7
500	660	29/32	5.7
600	730	19/26	7.7
600	750	24/29	7.7
600	760	29/32	7.7

5024

standard ground mouth

Condenser (reflux with coiled inner)

Length Of Jacket(mm)	Length (mm)	Ground Mouth	Cooling Area(dm ²)
150	235	14/23	2.0
200	295	14/23	3.7
200	330	19/26	3.7
200	350	24/29	3.7
200	360	29/32	3.7
300	430	19/26	5.4
300	450	24/29	5.4
300	460	29/32	5.4
400	530	19/26	7.3
400	550	24/29	7.3
400	560	29/32	7.3
500	630	19/26	9.2
500	650	24/29	9.2
500	660	29/32	9.2

5025

standard ground mouth

Condenser (reflux straight shape)

Length Of Jacket(mm)	Length (mm)	Ground Mouth	Cooling Area(dm ²)
200	300	19/26	1.5
200	305	24/29	1.5
200	315	29/32	1.5
300	400	19/26	2.4
300	405	24/29	2.4
300	415	29/32	2.4

1231

boro 3.3 glass or neutral glass

Test Tube (without rim plain)

O.D. Of Tube(mm)	Length (mm)
10	75
10	100
10	100
11	110
12	75
12	100
12	125
13	100
13	130
13	130
13	150
15	100
15	150
15	150
18	150
18	180
18	180
19	150
21	150
21	180
21	200
25	180
25	125
25	150
25	180
30	180
30	200
41	225

5027

standard ground mouth

Condenser (double layer straight shape)

Length Of Jacket(mm)	Length (mm)	Ground Mouth	Cooling Area(dm ²)
200	335	19/26	3.3
200	345	24/29	3.3
200	360	29/32	3.3
300	435	19/26	4.9
300	445	24/29	4.9
300	460	29/32	4.9
400	535	19/26	6.5
400	545	24/29	6.5
400	560	29/32	6.5

1232

boro 3.3 glass or neutral glass

Test Tube (with rim plain)

O.D. Of Tube(mm)	Length (mm)
10	100
12	100
13	100
13	130
15	100
15	150
16	125
16	155
18	150
18	180
19	150
21	150
21	180
21	200
25	180
30	200
41	225



1236
with graduations

Test Tube

Capacity (ml)	Length (mm)	Graduation (ml)	O.D. Of Tube(mm)
5	110	0.1	11
10	130	0.2	14
15	150	0.2	15
20	165	0.5	17
25	180	0.5	18
30	180	0.5	19
50	200	1.0	23

1238 with graduations and ground-in glass stopper

Test Tube

Capacity (ml)	Length (mm)	Graduation (ml)	O.D. Of Tube(mm)
5	130	0.1	12
10	160	0.2	15
15	180	0.2	16
20	190	0.5	18

1242 boro 3.3 glass conical with graduations

Centrifuge Tube

Capacity (ml)	Length (mm)	Graduation (ml)	O.D. Of Tube(mm)
5	90	0.1	13
10	110	0.1	17
15	120	0.1	19
25	140	0.2	23
50	150	0.2	33

1407
with plastic blue screw cap

Reagent Bottle (media bottle)

Capacity (ml)	Length (mm)	O.D. Of Body(mm)	GL
100	100	56	45
250	138	70	45
500	178	86	45
1000	225	101	45
2000	260	136	45
5000	330	186	45
10000	410	234	45
20000	505	299	45

1401 narrow mouth
with ground in glass or plastic stopper

Reagent Bottle (clear glass)

Capacity (ml)	Length (mm)	Dia. Of Body(mm)	Dia. Of Mouth(mm)
30	76	40	18
60	85	46	22
125	110	57	24
250	135	70	27
500	172	85	33
1000	202	106	38
2500	270	145	48
5000	338	185	58
10000	430	225	68
20000	520	265	82

1402 narrow mouth
with ground in glass or plastic stopper

Reagent Bottle (amber glass)

Capacity (ml)	Length (mm)	Dia. Of Body(mm)	Dia. Of Mouth(mm)
30	76	40	18
60	85	46	22
125	110	57	24
250	135	70	27
500	172	85	33
1000	202	106	38
2500	270	145	48
5000	338	185	58
10000	430	225	68
20000	520	265	82

1294
Stirrer Rod

Length (ml)	O.D. Of Tube(mm)
90	7-8
160	7-8

1403 wide mouth
with ground in glass or plastic stopper

Reagent Bottle (clear glass)

Capacity (ml)	Length (mm)	Dia. Of Body(mm)	Dia. Of Mouth(mm)
30	72	40	25
60	80	46	30
125	108	57	38
250	130	70	50
500	165	85	58
1000	188	106	65
2500	260	145	90
5000	330	185	110
10000	398	227	115
20000	492	288	122

1404 wide mouth
with ground in glass or plastic stopper

Reagent Bottle (amber glass)

Capacity (ml)	Length (mm)	Dia. Of Body(mm)	Dia. Of Mouth(mm)
30	72	40	25
60	80	46	30
125	108	57	38
250	130	70	50
500	165	85	58
1000	188	106	65
2500	260	145	90
5000	330	185	110
10000	398	227	115
20000	492	288	122

1503
60° approx boro3.3 glass

Funnel (long stem)

Capacity (ml)	Length Of Stem(mm)	O.D. Of Stem(mm)
50	150	7
60	150	8
75	150	9
90	150	11

1504
60° approx boro3.3 glass

Funnel (short stem)

Capacity (ml)	Length Of Stem(mm)	O.D. Of Stem(mm)
40	40	7
50	50	7
60	60	8
75	75	9
90	90	11
100	100	13
120	120	15
150	150	17
180	150	18
210	160	21
240	180	24
300	200	26

1451
with ground-in pipette and latex rubber nipple

Dropping Bottle (clear glass)

Capacity (ml)	Height (mm)	O.D. Of Mouth(mm)
30	76	40
60	85	46
125	110	57

1452
with ground-in pipette and latex rubber nipple

Dropping Bottle (amber glass)

Capacity (ml)	Height (mm)	O.D. Of Mouth(mm)
30	76	40
60	85	46
125	110	57

1542
with ground in glass stopper and stopcock

Separatory Funnel (globe shape)

Capacity (ml)	Length (mm)	O.D. Of Stem*Length(mm)
60	265	9*160
125	290	9*160
250	315	10*160
500	340	10*160
1000	380	12*160
2000	410	13*160

1543
with ground in glass stopper and stopcock

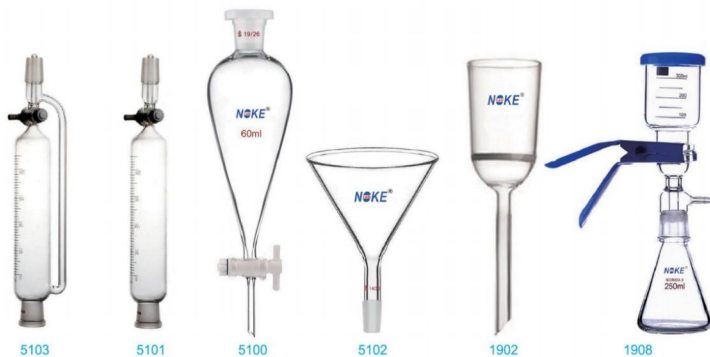
Separatory Funnel (squire pear shape)

Capacity (ml)	Length (mm)	O.D. Of Stem*Length(mm)
10	126	8*60
20	135	8*60
60	220	10*70
125	260	10*70
250	290	11*70
500	330	12*70
1000	400	12*70

1545
with ground in glass stopper and stopcock

Separatory Funnel (cylindrical shape)

Capacity (ml)	Length (mm)	O.D. Of Stem*Length(mm)
60	260	9*80
125	320	9*80
250	360	10*110
500	420	10*110
1000	460	12*110



5100

standard ground mouth

Separatory Funnel (globe shape)

Capacity (ml)	Length (mm)	Ground Mouth	Ground Stopper
125	180	14/23	14/23
125	195	19/26	19/26
125	203	19/26	24/29
250	210	19/26	19/26
250	220	24/29	24/29
250	226	24/29	29/32
500	243	24/29	24/29
500	248	24/29	29/32

5101

standard ground mouth

Separatory Funnel (cylindrical shape)

Capacity (ml)	Length (mm)	Ground Mouth	Ground Stopper
10	148	10/19	10/19
25	175	10/19	10/19
25	186	14/23	14/23
50	213	14/23	14/23
50	220	19/26	19/26
50	230	24/29	24/29
100	230	14/23	14/23
100	240	19/26	19/26
100	250	24/29	24/29
250	260	19/26	19/26
250	270	24/29	24/29
250	273	24/29	24/32
500	317	24/29	24/29
500	320	24/29	24/32
1000	370	29/32	29/32

5103 constant pressure

standard ground mouth

Separatory Funnel (cylindrical shape)

Capacity (ml)	Length (mm)	Ground Mouth	Ground Stopper
100	280	19/26	19/26
100	286	24/29	24/29
250	305	19/26	19/26
250	310	24/29	24/29
250	322	29/32	29/32

5102

Funnel (60°)

O.D. Of Mouth (mm)	Ground Stopper
30	10/19
40	10/19
40	14/23
40	19/26
60	14/23
60	19/26

1902

with fritted disc

Filter Funnel (buchner funnel)

Capacity (ml)	Porosity
30	3
30	4
70	3
70	4
125	3
125	4
250	3
250	4
500	3
500	4

1908

with aluminum clamp or stainless steel clamp with fritted disc

Filtration Apparatus (filtration assembly vacuum filtration system)

Funnel (ml)	Conical Flask (mm)
10	125
15	125
25	125
300	250
300	500
300	1000
300	2000
300	3000
300	5000

1313

Gas Washing Bottle (muencks)

Capacity (ml)	Total Height (mm)	Height Of Body (mm)	Ground Mouth
250	250	170	34/35
500	315	240	34/35

1314

Gas Washing Bottle (drechsel)

Capacity (ml)	Total Height (mm)	Height Of Body (mm)	Ground Mouth
250	250	170	34/35
500	315	240	34/35

1351

Desiccator (with porcelain plate)

L.D. (mm)	Total Height (mm)	Height Of Body (mm)
120	180	110
150	220	135
180	260	160
210	275	180
240	325	210
300	355	235
350	400	255
400	460	300

1871

Colorimeter Tube (nessler)

Capacity (ml)	Height (mm)	Graduation (ml)	Tolerance (±ml)
10	130	5,10	0.1
25	150	20,25	0.25
50	180	25,50	0.4
100	210	50,100	0.6

1872 (with glass hollow stopper)

Colorimeter Tube

Capacity (ml)	Height (mm)	Graduation (ml)	Tolerance (±ml)
10	130	5,10	0.1
25	150	20,25	0.25
50	180	25,50	0.4
100	210	50,100	0.6

1352 (amber glass)

Desiccator (with porcelain plate)

L.D. (mm)	Total Height (mm)	Height Of Body (mm)
120	180	110
150	220	135
180	260	160
210	275	180
240	325	210
300	355	235
350	400	255
400	460	300